

# Scan-Pile 3D

3D drawing and 3D print



**Scan-Pile ApS**

Langelandsvej 12B, DK-5500 Middelfart

Telefon +45 82820050

CVR: 35635688

**WWW.SCAN-PILE.COM**

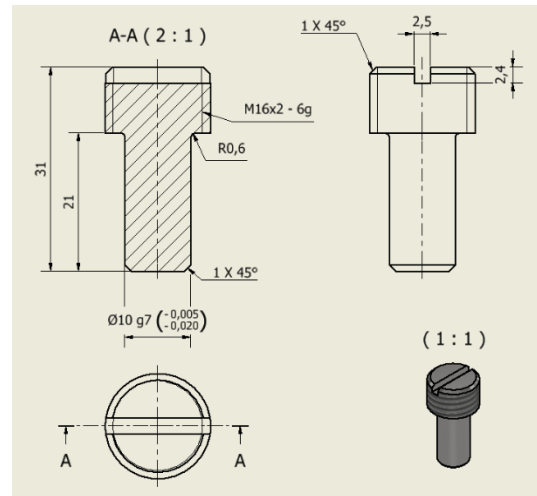
## 3D drawing and 3D print





3D Model



3D Print



2D Tegning

Thumbnail	Part number	Rev.	QTY.	Description	Material form	Material	Where used
	202502-FE-06-123	-	8	Socket shaft	Round bar Ø16	S355	1 pcs in 202502-FE-06-021_5.0t, 1 pcs in 202502-FE-06-021_2.5t
	202502-FE-07-112	-	8	Multipurpose enclosure holder	Sheet 8 mm	EN 1.4301	1 pcs in 202502-FE-07-021

Component list

### Scan-Pile offers:

- 3D drawing and production of 2D drawings in Autodesk's Inventor (files can also be supplied in neutral formats)
- Component lists in Excel, created with Tick Tool (Tick Cad's software)
- 3D print in different plastic types and colors in the size 22x20x30 cm

If the tasks require calculations, CE marking or similar, we use competent partners.

### Among Scan-Pile 3D tasks can the following be mentionend

- 3D drawing og print: developmen of lift-tool FE og WE (CSP-/Scan-Pile ApS)
- 3D drawing og productionfoundation: Transport system (ConForm)
- 3D modellering og productionfoundation: Concrete carrier mv. (Thomas Beton)

Contact us for a non-binding meeting and hear what we can offer you.