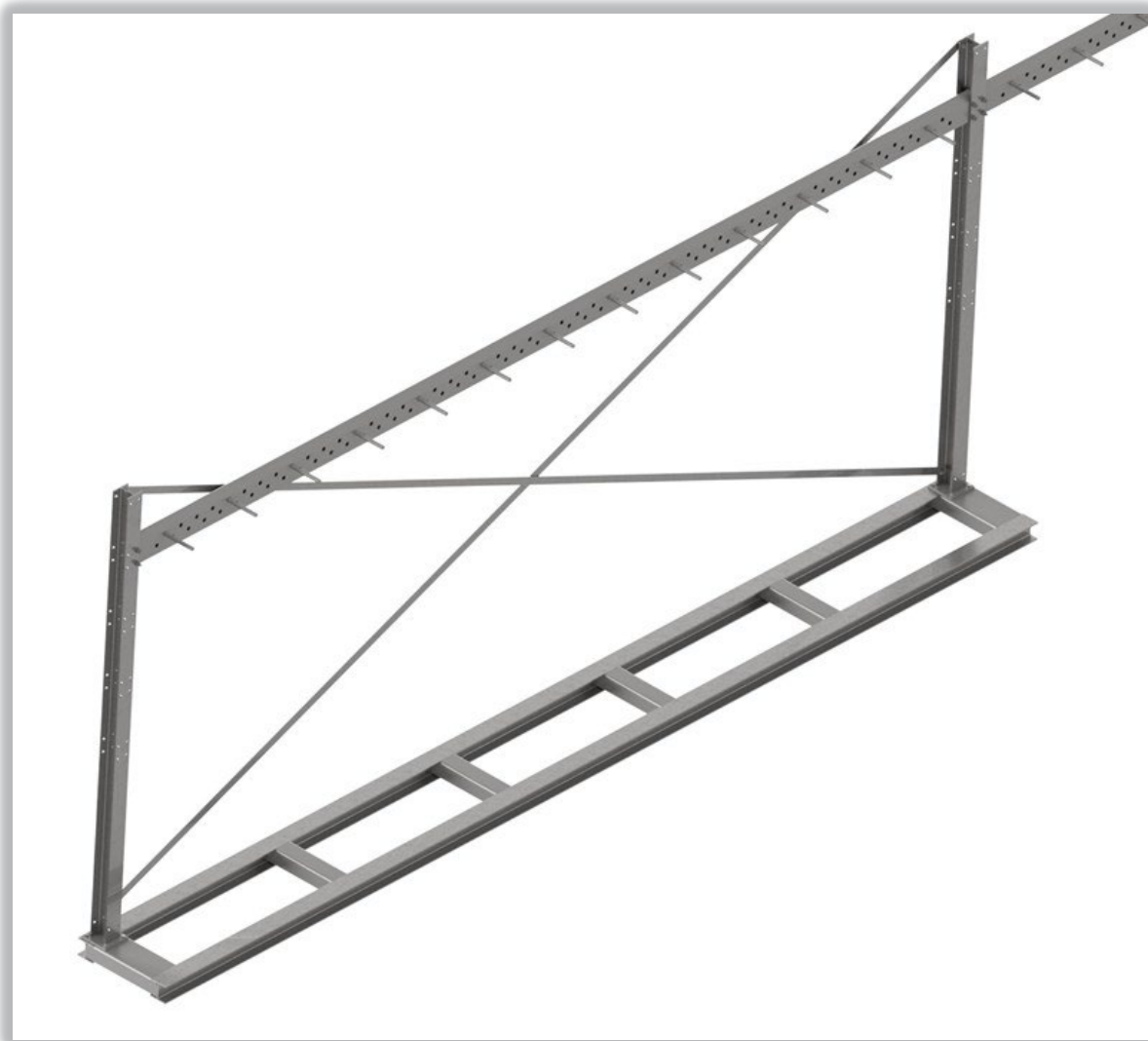


# SP-CER

Rack for concrete wall elements



**Scan-Pile ApS**

Langelandsvej 12B, DK-5500 Middelfart

Telefon +45 82820050

CVR: 35635688

**WWW.SCAN-PILE.COM**

## Rack for concrete wallelements

---



***SP-CER: Standard or Taylor designed system***

**SP-CER.** Is a unique system for storage prefabricated concrete wall elements, the system is a standard or taylor designed system which is built in hot galvanized steel, SP-CER can be adapted to the customer's current needs. By using SP-CER. ensures that concrete elements can be stored vertically, which reduces handling damage to elements while ensuring a very stable and secure element storage.

**SP-CER** Reduces storage area and optimizes warehouse logistics if elements are handled using CSP LIFT-TOOL / WE. Can the handling of elements be further optimized, while at the same time improving the working environment and safety.



*The mandrel and wooden wedge secure the element.*



*“Keyholes” = flexibility.*



*SP-CER consists of one or two rows of crossbeams which are provided with “keyholes” these keyholes are designed so that the steel mandrel can be easily placed where this is desired, while the mandrel is locked, we recommend that plastic or wooden wedges are used between the mandrel and element.*



*SP-CER also consists of a bottom frame and crossbar, also necessary columns, and wind crossings.*

**Maintenance:**

SP-CER. The system is made of hot-dip galvanized steel and as such requires no maintenance, however, steel mandrels must be discarded if they have been damaged.

**Design:**

SP-CER. The system is designed and adapted individually so that the customer's needs and wishes are met.

**Mounting:**

SP-CER. Is modular and can be easily installed by the customer's own craftsmen, if desired, Scan-Pile can also offer installation.