

## Company profile



**Your future supplier of quality products and optimized solution to the pre-cast concrete industry**

**Scan-Pile ApS**

Langelandsvej 12B, DK-5500 Middelfart

Telefon +45 82820050

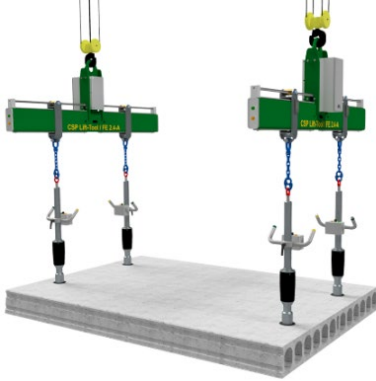
CVR: 35635688

**WWW.SCAN-PILE.COM**

## CSP Lift-Tool (Equipment for lifting and handling pre-cast elements)

Scan-Pile ApS and CPT A/S has in common developed and patented (pat. No DK180303) Lifting and handling equipment for precast wall and floor elements.

### CSP LIFT-TOOL / FE



### Lifting tools for floor elements

This lifting yoke is specially designed for semi-automatic lifting /handling of prefabricated concrete decks. It can be hollow or solid decks with embedded DEHA anchors

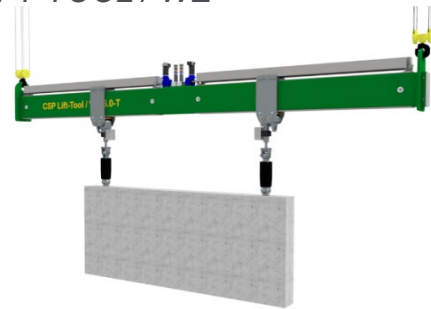
FE lifting yoke could be supplied for elements widths of 1,2 or 2,4m. and for 2,5 or 5 t DEHA anchors. Lifting yoke is available in an M and an A version.

### Lifting tools for wall elements

This lifting yoke is specially designed for semi-automatic lifting /handling of prefabricated walls

WE lifting yoke is Taylor designed based on custom demands and wishes.

### CSP LIFT-TOOL / WE



### CSP Tripod FE/WE



### Tripod for lifting yoke

Scan-Pile delivers specially designed tripods for both FE and WE lifting yokes. Tripods are designed for optimal safety both when loading and unloading

Tripods are made in aluminum.

### DEHA adapters and storage racks

CSP adapter is used in conjunction with WE lifting yoke and is supplied for 2,5; 5; 7,5 and 10t anchors.

Racks are multifunctional and specially designed for safe handling and storage of CSP-adapters.

### CSP Adapter



## SP Equipment for precast foundation piles

Scan-Pile has many years of experiences in the supply of machinery and other equipment for production of precast foundation piles. Scan-Pile offer the complete palette from molds to complete production lines.



### **SP Equipment Mold**

Photo shows automatic molds for precast pile production.

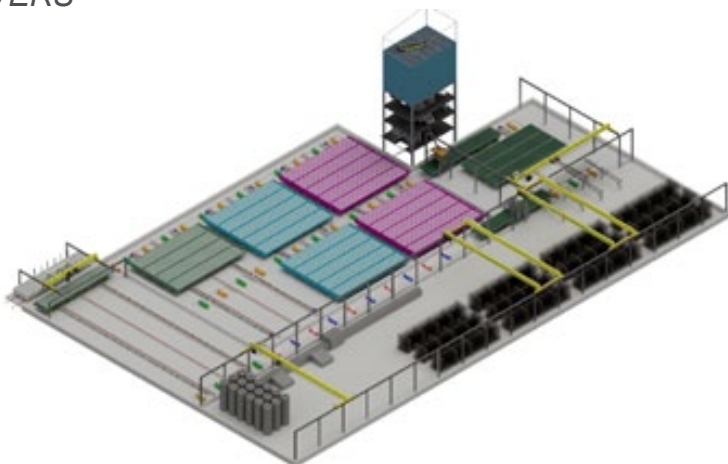
Molds are available in different sizes and lengths with associated accessories.

### **SP Equipment – Casting unit**

Photo shows SP-fully automatic casting unit for precast piles.



### **VERS**



### **SP VERS**

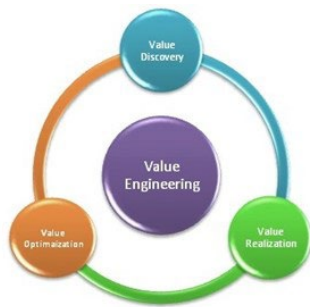
3D Photo illustration shows a complete factory layout.

VERS is the ultimate "smart" solution on a future factory for precast foundation pile production.

For further info please don't hesitate to contact our team.

Furthermore, Scan-Pile offers several services:

---



*SP Value Engineering*



*SP Customer-Supplier Relations*



*SP Installation, supervision, service*



*SP 3D modelling and print*

### **About Scan-Pile**

Scan.Pile is a small trading, production, and engineering company. Our employees, suppliers and partners all have many years of experience in the industry. Our goal is always to ensure a satisfied client relationship.

Scan-Pile draws on the best available know-how available on the market. Our strengths are primarily mechanical equipment. When it comes to electricity and process technical challenges, we use the best specialists on the market.

Scan-Pile approaches the task with a focus on the following: the client's needs, the client's wishes and not least the client's expectations reconciliation. Scan-Pile's vision is not "Cheap Charlie", but "Best in Class". Our focus will always be on delivering the most optimal solution, focusing on functionality, quality, service friendliness, and "Lifetime cost". We always want the proper ratio between investment and operating costs, also called Capex/Opex.

**Contact Scan-Pile for a no-obligation meeting where we can tell you more about what we can offer.**